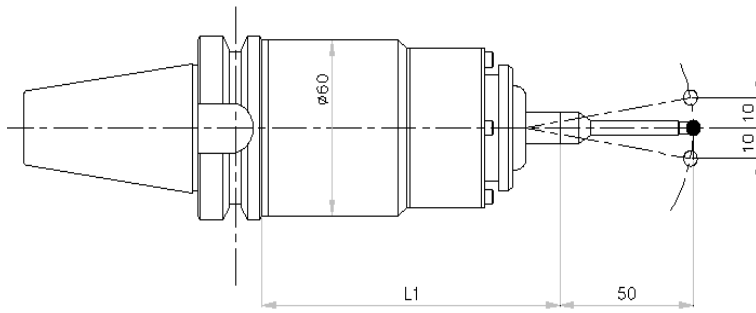


BT SHANK (PF)

POINT FINDERS



 DIMENSIONS IN mm

DESIGNATION	TAPER SHANK	STYLUS BALL MATERIAL	LED (L) LED WITH BEEPER (LB)	L1
BT30/PF/H/L	BT30	HARDENED STEEL	L	110
BT30/PF/H/LB	BT30	HARDENED STEEL	LB	125
BT40/PF/H/L	BT40	HARDENED STEEL	L	110
BT40/PF/H/LB	BT40	HARDENED STEEL	LB	125
BT50/PF/H/L	BT50	HARDENED STEEL	L	110
BT50/PF/H/LB	BT50	HARDENED STEEL	LB	125

- FEATURES:**
1. STYLUS RADIAL MOVEMENT 10mm AND AXIAL MOVEMENT 5mm
 2. PRECISE SETTING OF STYLUS RUNOUT ON THE MACHINE IS PROVIDED.
 3. LED IS A STANDARD FEATURE

- ACCURACY:**
1. STYLUS REPEATABILITY ± 0.002 mm
 2. STYLUS RUNOUT WITH RESPECT TO SHANK 0.005mm

NOTE:

1. DETAILS GIVEN ARE FOR POINT FINDERS WITH BT SHANK ONLY.
2. POINT FINDERS WITH OTHER TYPES OF SHANKS LIKE SK, TC, CAT, ISO, ETC. ARE OFFERED ON CUSTOMER'S REQUIREMENT.
3. STYLUS OF LENGTH ABOVE 50mm & 100mm CAN BE SUPPLIED ON SPECIFIC ORDER.

